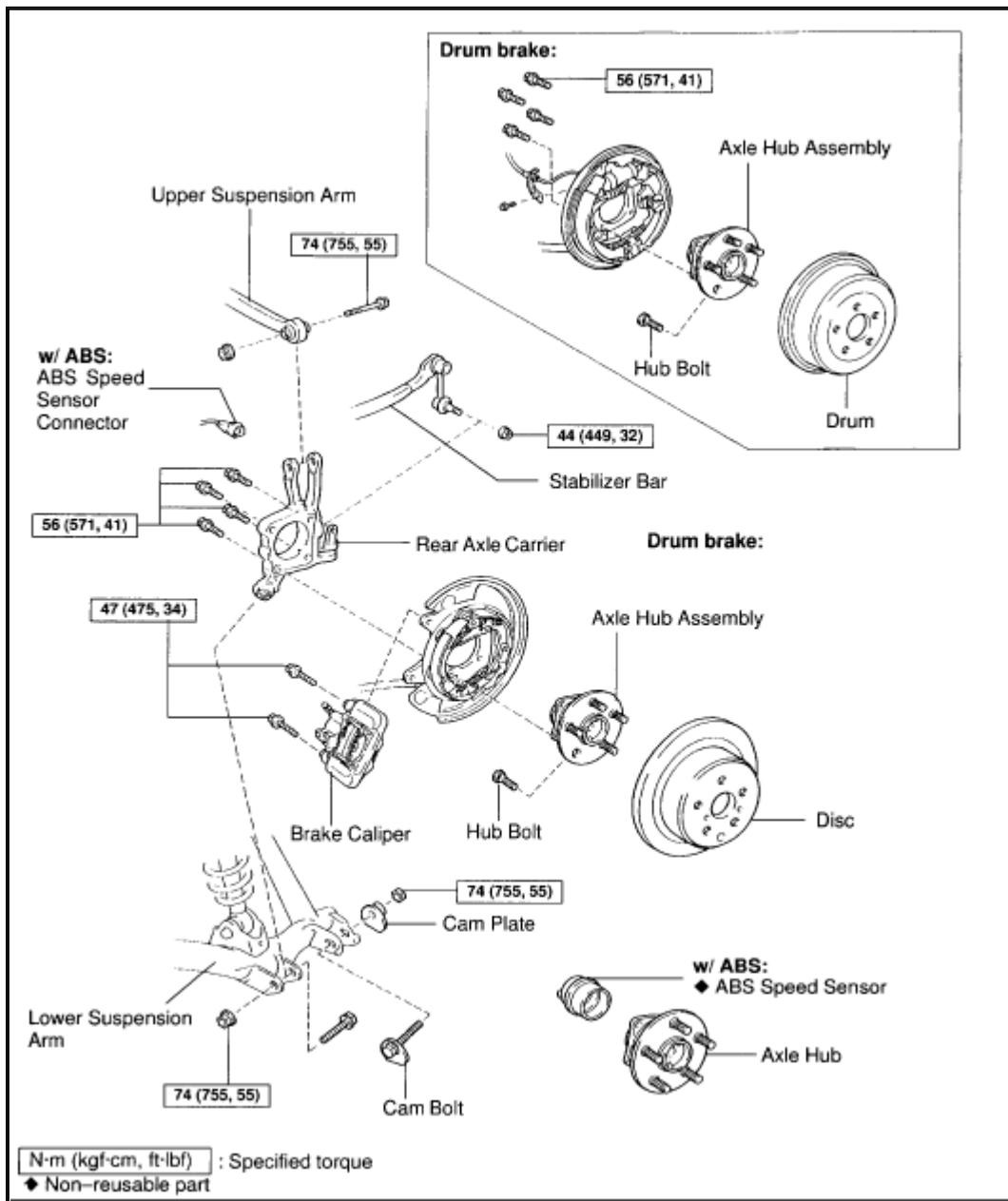


## Disassembly and Reassembly



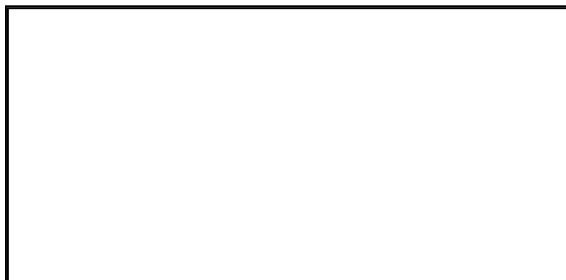
ZOOM

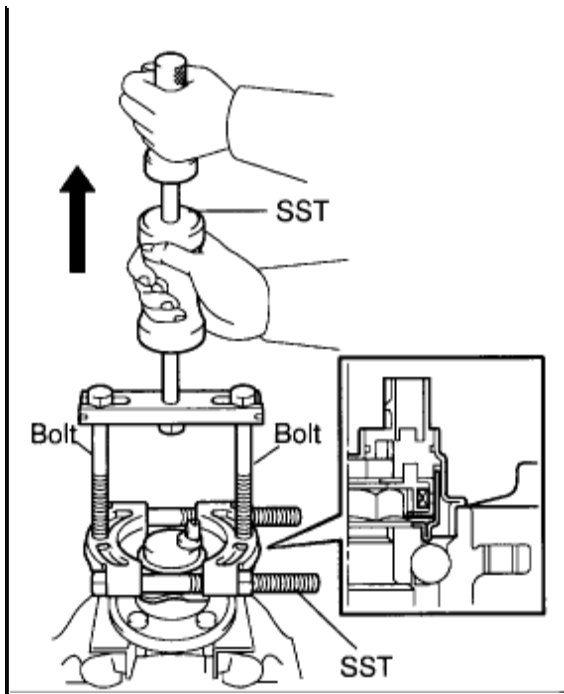
SIZED FOR PRINT

### DISASSEMBLY

w/ ABS: REMOVE ABS SPEED SENSOR

- Using a pin punch and hammer, drive out the 2 pins and remove the 2 attachments from SST SST 09520-00031 (09520-00040, 09521-00020)





ZOOM

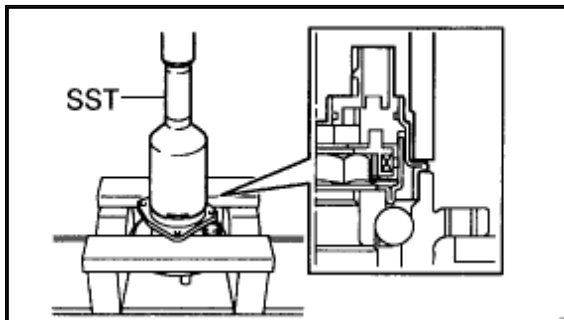
SIZED FOR PRINT

- b. Mount the axle hub assembly in a soft jaw vise. **NOTICE:** Replace the axle hub assembly if it is dropped or a strong shock is given to it.
- c. Using SST and 2 bolts (Diameter: 12 mm, Pitch: 1.5 mm), remove the ABS speed sensor. SST 09520-00031 (09520-00040, 09521-00020), 09950-00020 **NOTICE:**
  - Do not allow any foreign matter sticking to the sensor rotor.
  - Pull out the ABS speed sensor straightly not to damage the sensor rotor.
  - If damage has occurred to the sensor rotor, replace the axle hub assembly.
  - Do not scratch the contacting surface of the axle hub and speed sensor.

### REASSEMBLY

w/ ABS: INSTALL NEW ABS SPEED SENSOR

- a. Clean the contacting surface of the axle hub and a new ABS speed sensor. **NOTICE:** Do not allow any foreign matter sticking to the sensor rotor.
- b. Place the ABS speed sensor on the axle hub so that the connector is set at the bottom under the on-vehicle condition.



ZOOM

SIZED FOR PRINT

- c. Using SST and a press, install a new ABS speed sensor to the axle hub. SST 09214-76011 **NOTICE:**
  - Do not tap the speed sensor with a hammer directly.

- Check that there should be no foreign matter on the speed sensor detection portion.
- Press in the ABS speed sensor straightly and slowly.